

2023

DOĞAN

Food Processing Machinery

SINCE 1992



Visit Our Website

doganmachine.com

DOĞAN

Food Processing Machinery



doganmachine.com

About Us

▶ Leading the industrial food equipment sector for more than 30 years, Doğan Makine, which is engaged in the design, manufacture and export of food processing equipment, continues its production and management activities at its facility in Malatya with a closed area of 3,000 m² and an open area of 10,000 m².

▶ Dogan Makine Sanayi A.S established in 1992 under the leadership of Cengiz DOĞAN's since the first day of its establishment, it has been moving forward confidently with its young and innovative line under the leadership of experience. It mainly produces washing, selection and packaging lines in the field of dried fruit, frozen food and meat processing plants.

Our Mission

To increase the competitiveness of our country by focusing on customer satisfaction and to make it continuous. To be a company that can compete with international brands, does not compromise on quality in its products and services, contributes Decently to society and the environment.

Our Vision

To spread the understanding of quality at every stage of production in the world and to become a world-class production center in its own sector.

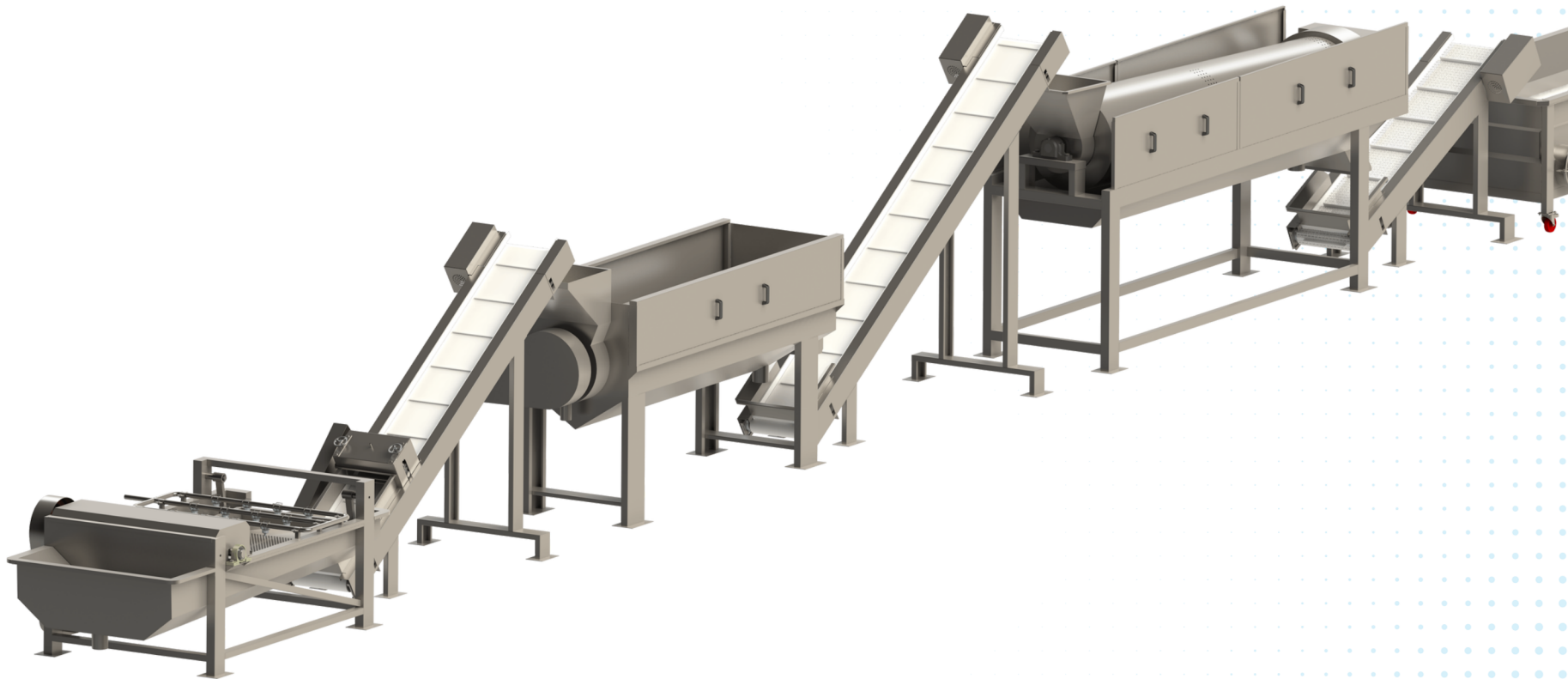
Contents

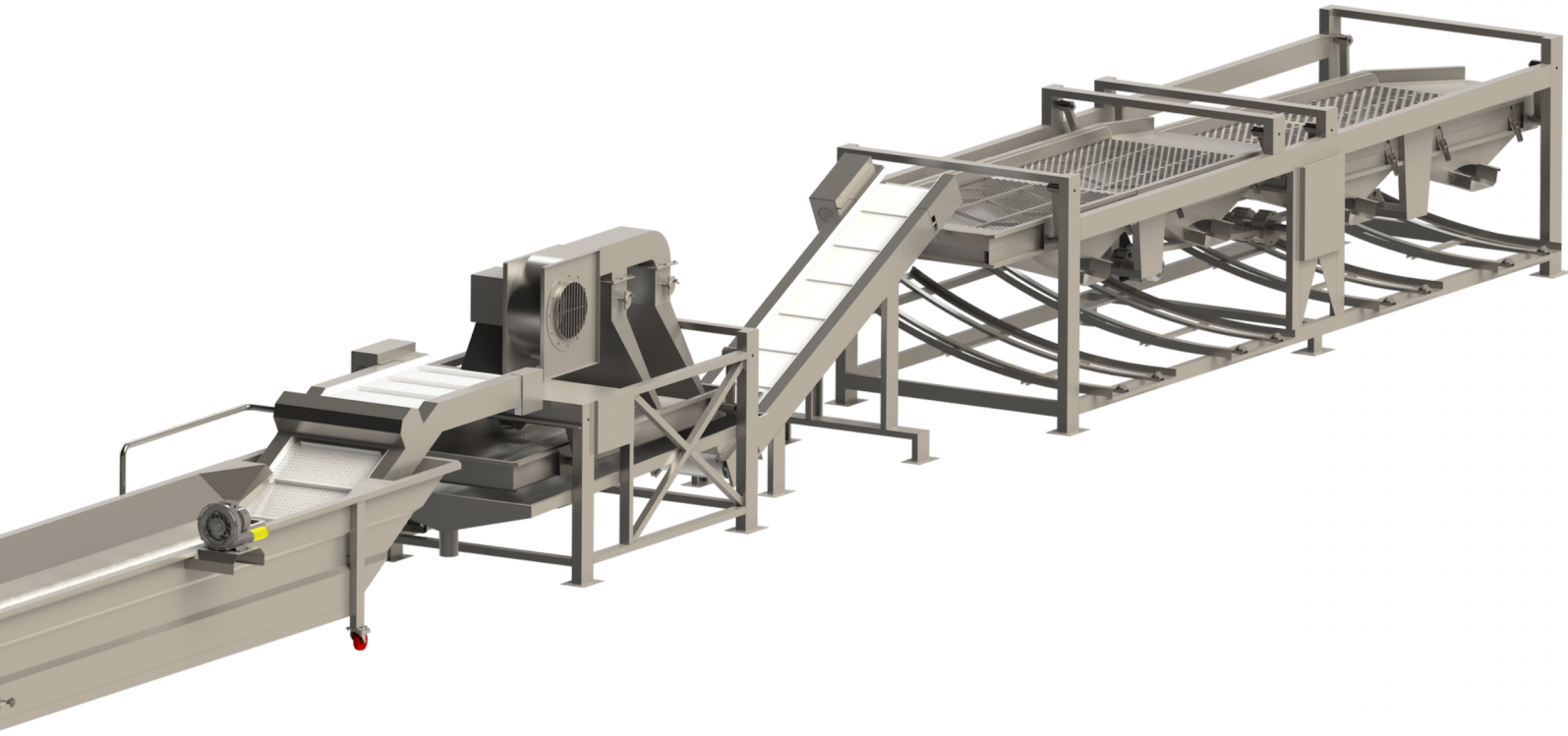


1	About Us	29	Jerky
3	Dried Apricots Processing Line	32	Select Bands
7	Dried Figs Processing Line	33	Automatic Filling Line
11	Dried Plum Processing Line	34	Table-Pulley
15	Dates Processing Line	35	Spiral
19	Food Processing Machinery	36	Fruit Boxes Washing Machine
23	Dried Fruit Classification Line	37	Brush Polishing
25	Conveyor Belts	38	Box Damper
26	Washing	39	Fumigation Chamber

Dried Apricots Processing Line

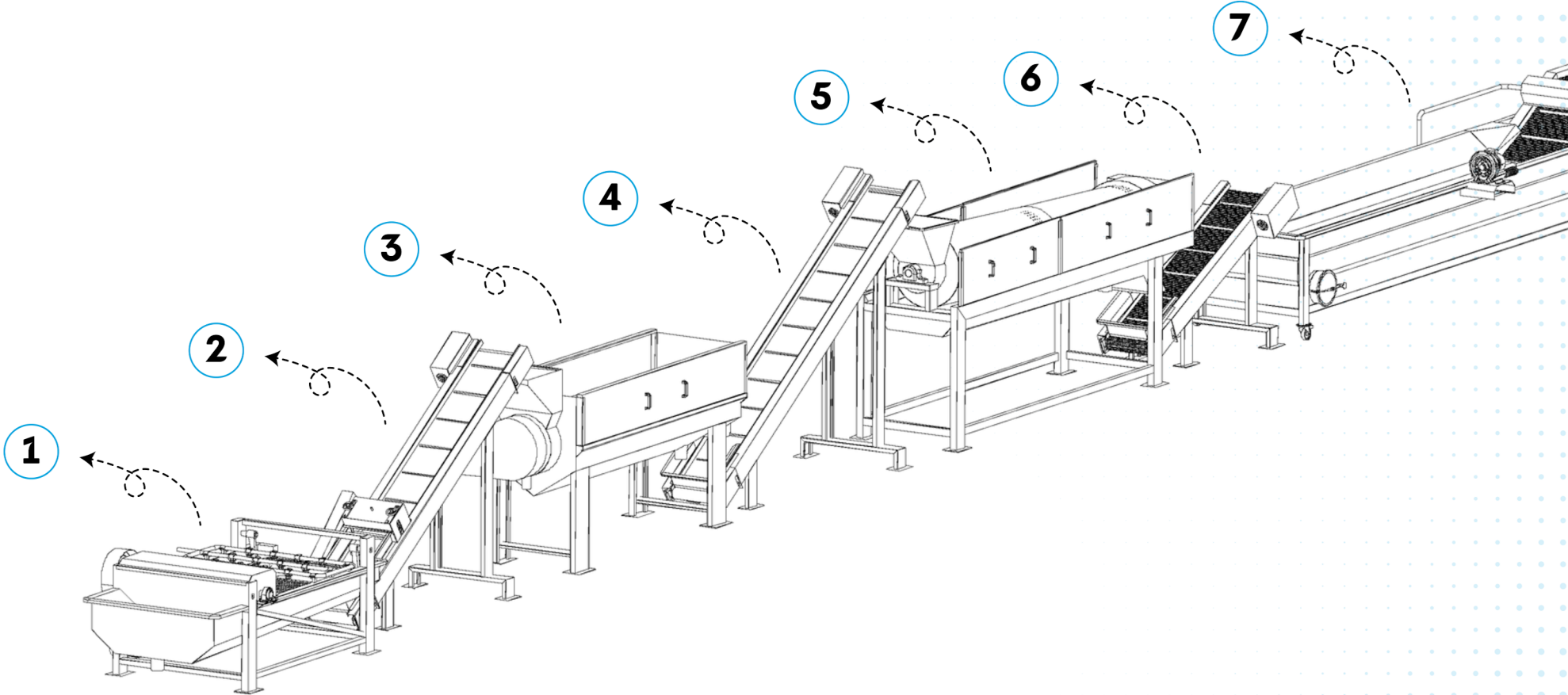
Our process line, which has a production capacity of 2000 kg per hour, consists of garbage collection, block breaking, pre-washing, sulfur balancing, water disposal and sizing stages.

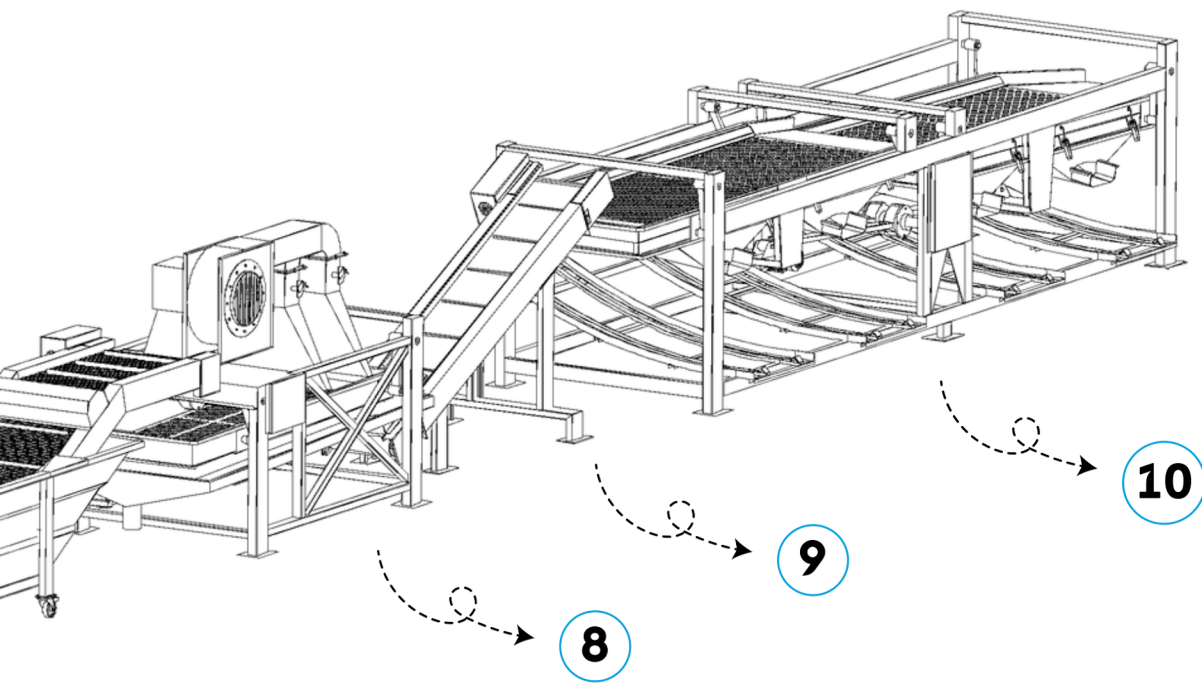




Dried Apricots Processing Line

Our process line, which has a production capacity of 2000 kg per hour, consists of garbage collection, block breaking, pre-washing, sulfur balancing, water disposal and sizing stages.





1 GARBAGE JERKY

2 BLOCK BREAKING LINE

3 BRUSH WASHING

4 CONVEYOR BELT

5 DRUM WASHING

6 MODULAR CONVEYOR BELT

7 UNIVERSAL WASHING

8 FAN WATER THROWING JERKY

9 CONVEYOR BELT

10 LONGITUDINAL JERKY

Dried Figs Processing Line

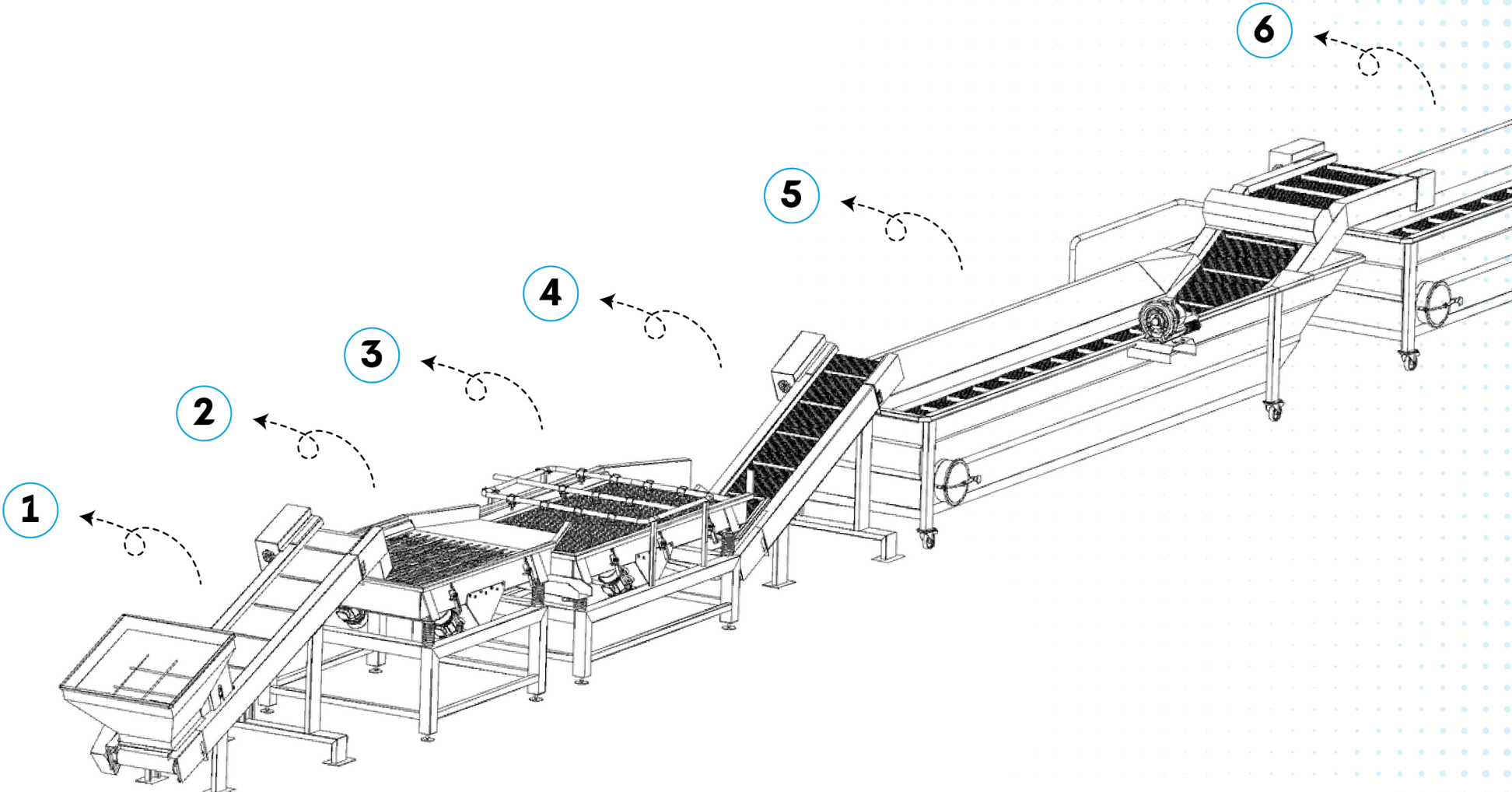
Our process line, which has a production capacity of 2000 kg per hour, consists of block breaking, garbage collection, pre-washing, showering, water disposal and lengthening stages.

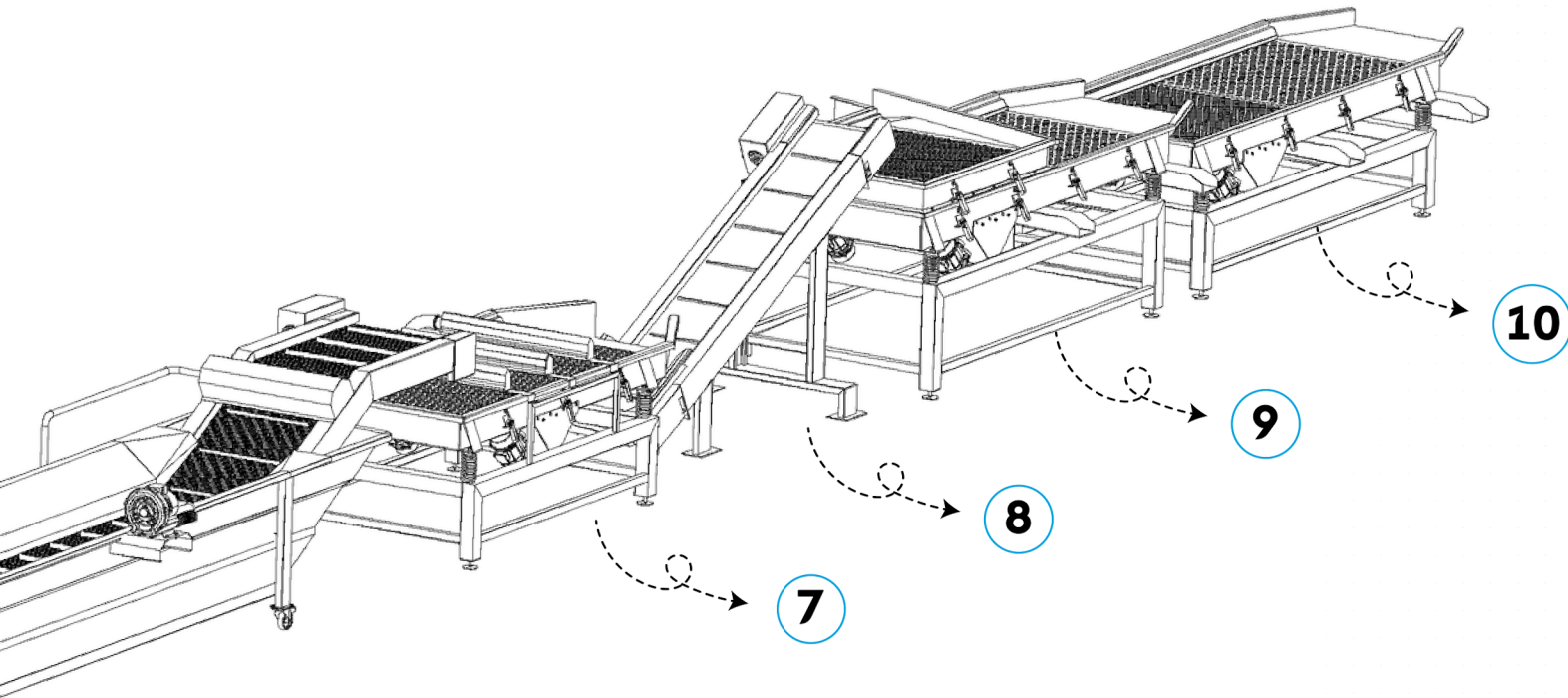




Dried Figs Processing Line

Our process line, which has a production capacity of 2000 kg per hour, consists of block breaking, garbage collection, pre-washing, showering, water disposal and lengthening stages.





1 BLOCK BREAKING TAPE

2 GARBAGE JERKY

3 GARBAGE JERKY

4 CONVEYOR BELT

5 UNIVERSAL WASHİNG

6 UNIVERSAL WASHİNG

7 FAN WATER THROWING JERKY

8 CONVEYOR BELT

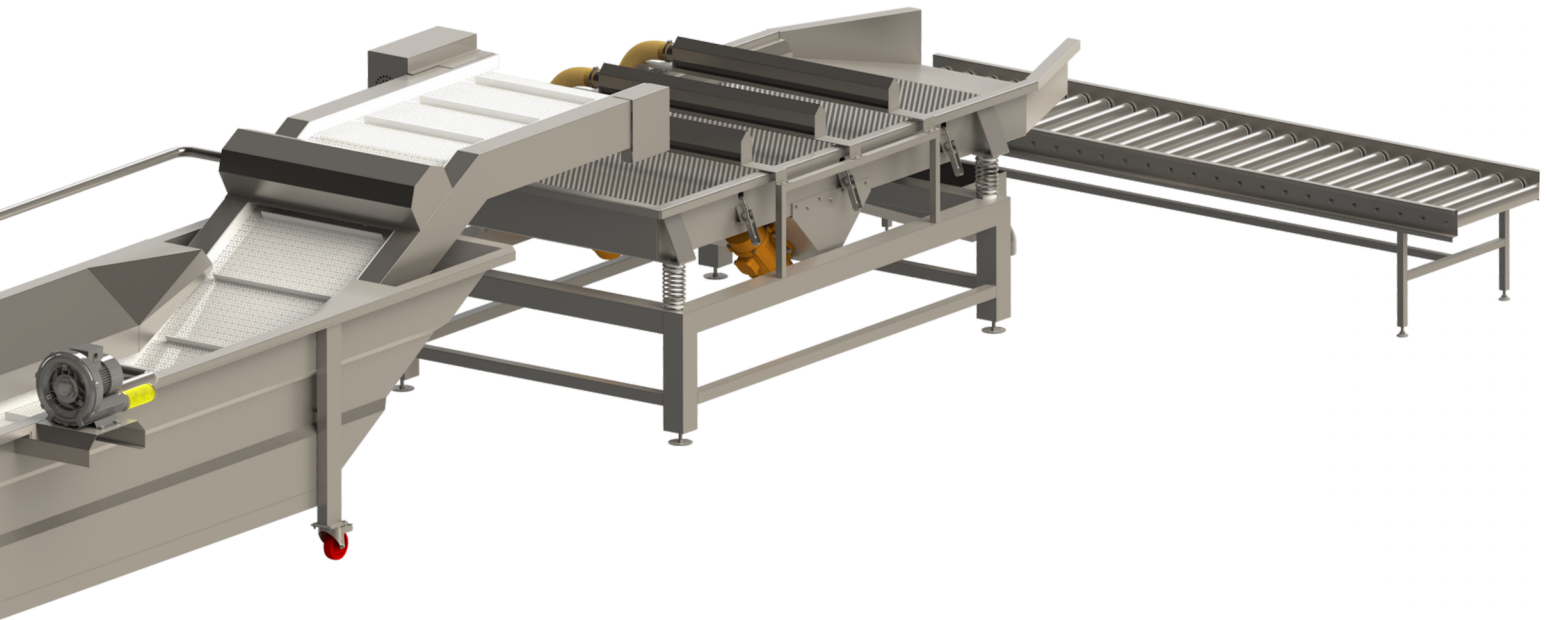
9 LONGİTUDİNAL JERKY

10 LONGİTUDİNAL JERKY

Dried Plum Processing Line

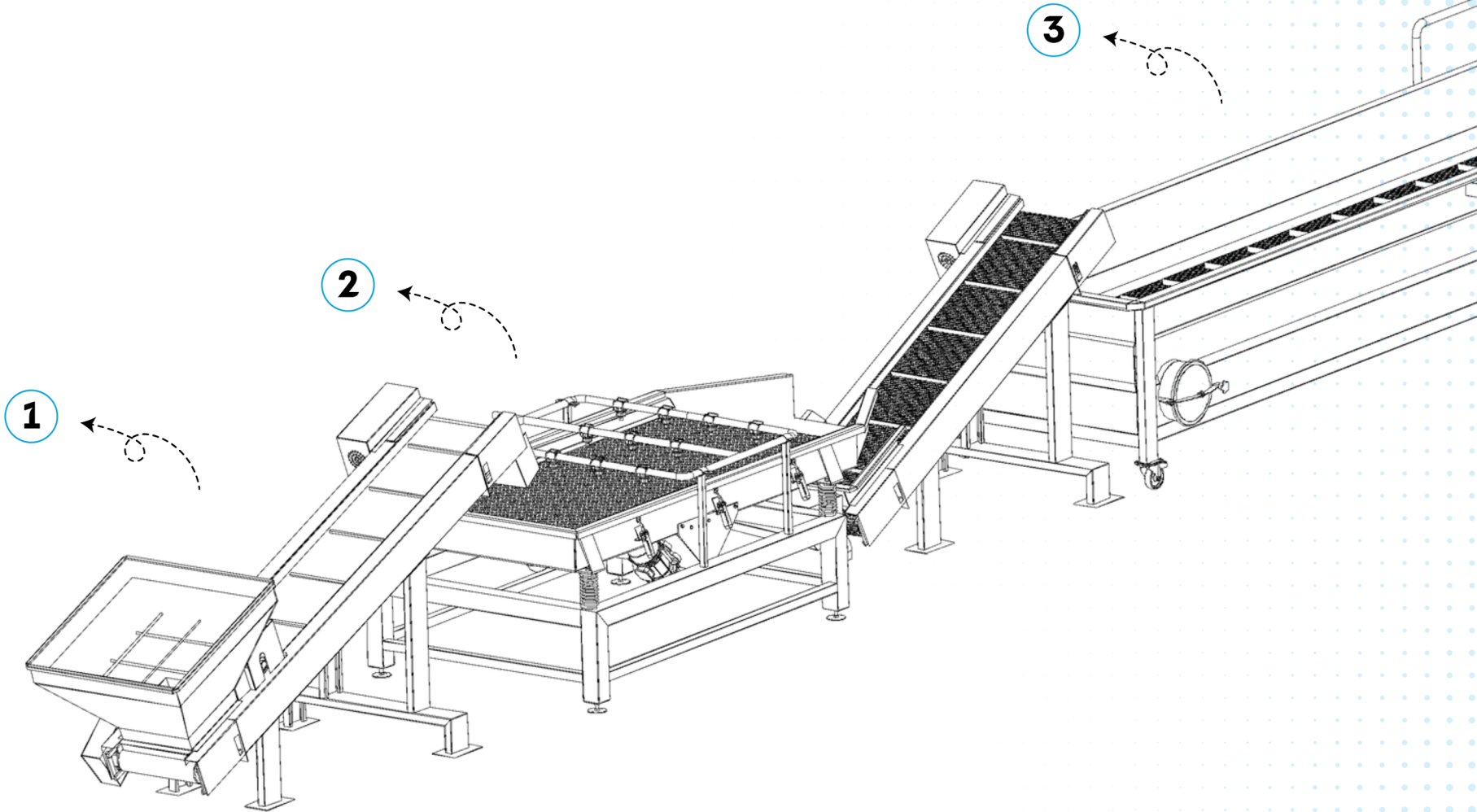
Our process line, which has a production capacity of 2000 kg per hour, consists of block crushing, pre-washing, showering and water disposal stages.

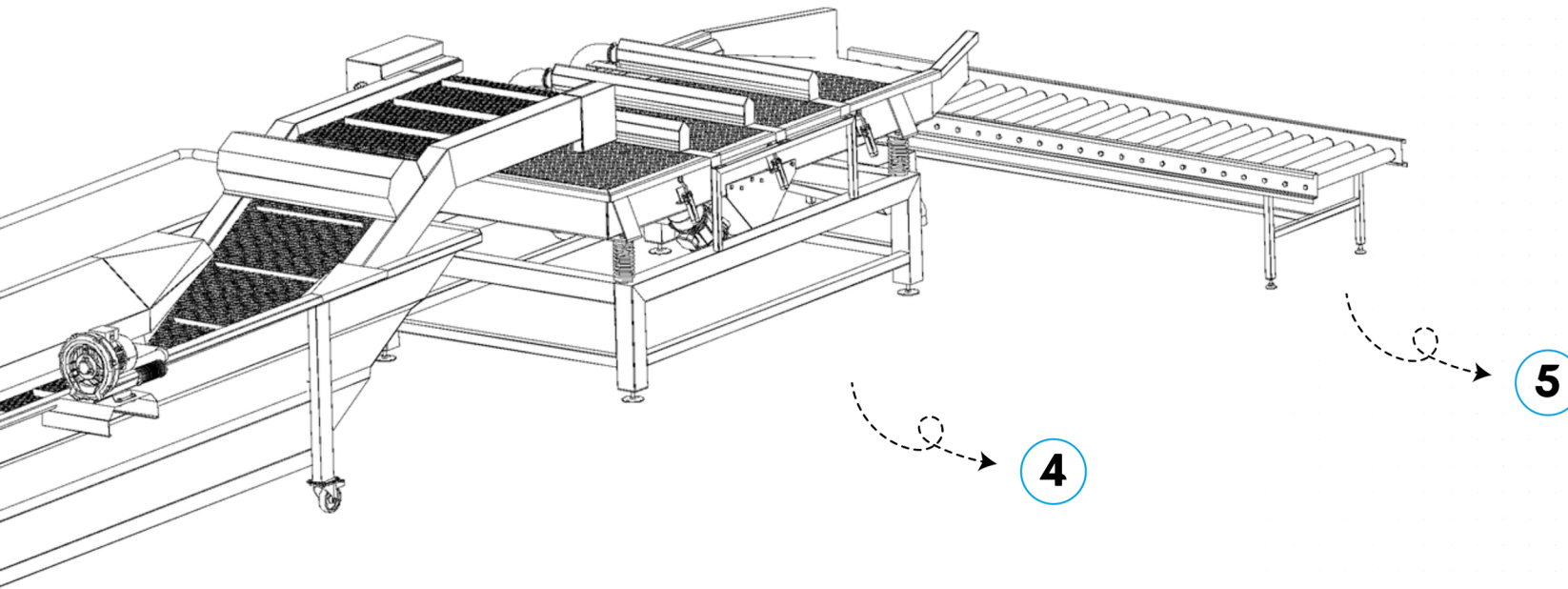




Dried Plum Processing Line

Our process line, which has a production capacity of 2000 kg per hour, consists of block crushing, pre-washing, showering and water disposal stages.





1

BLOCK BREAKING TAPE

2

GARBAGE JERKY

3

UNIVERSAL WASHING

4

FAN WATER THROWING JERKY

5

PULLEY TRANSPORT TABLE

Dates Processing Line

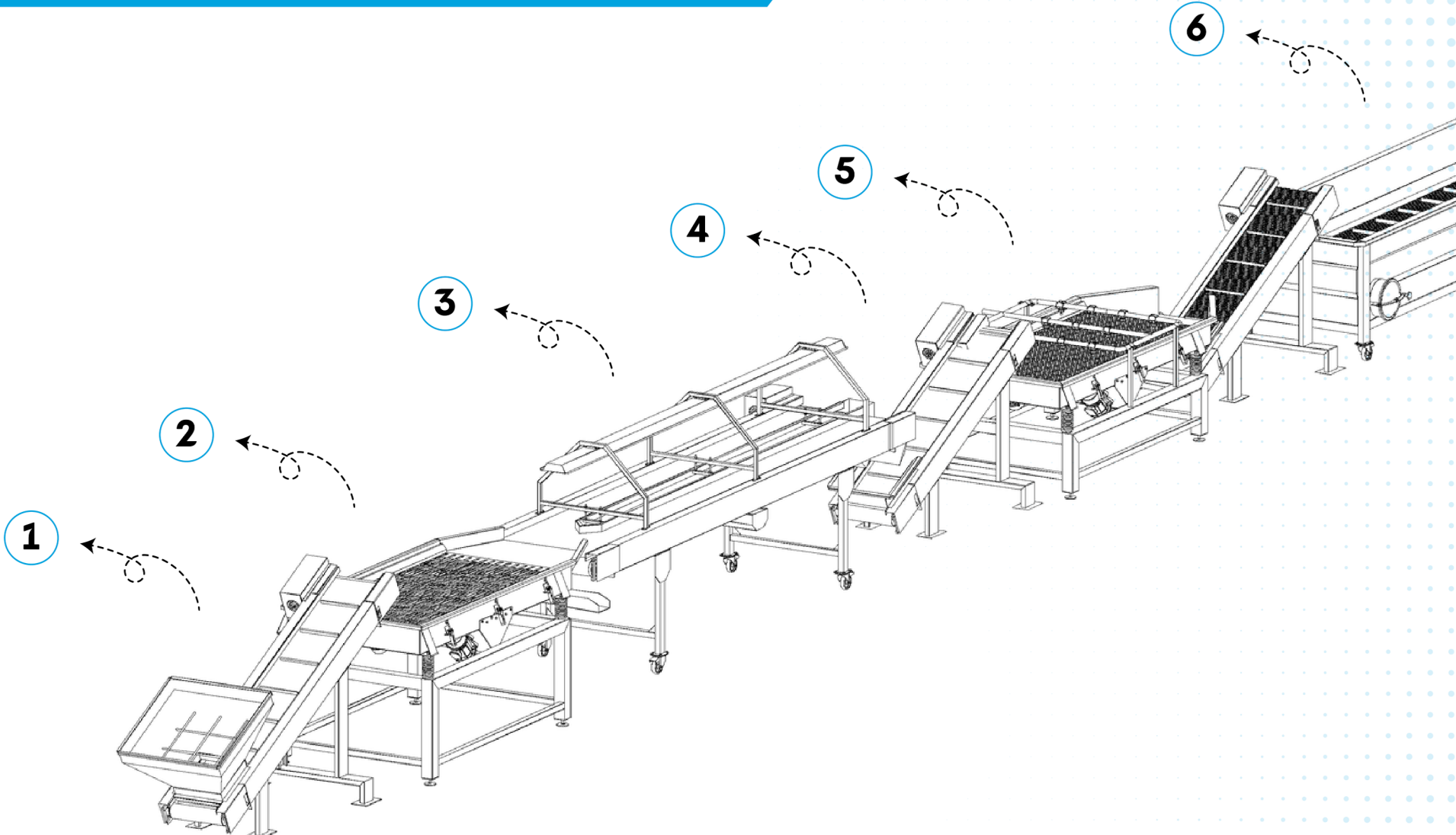
Our process line, which has a production capacity of 2000 kg per hour, consists of garbage collection, selection, pre-washing, showering and water disposal stages.

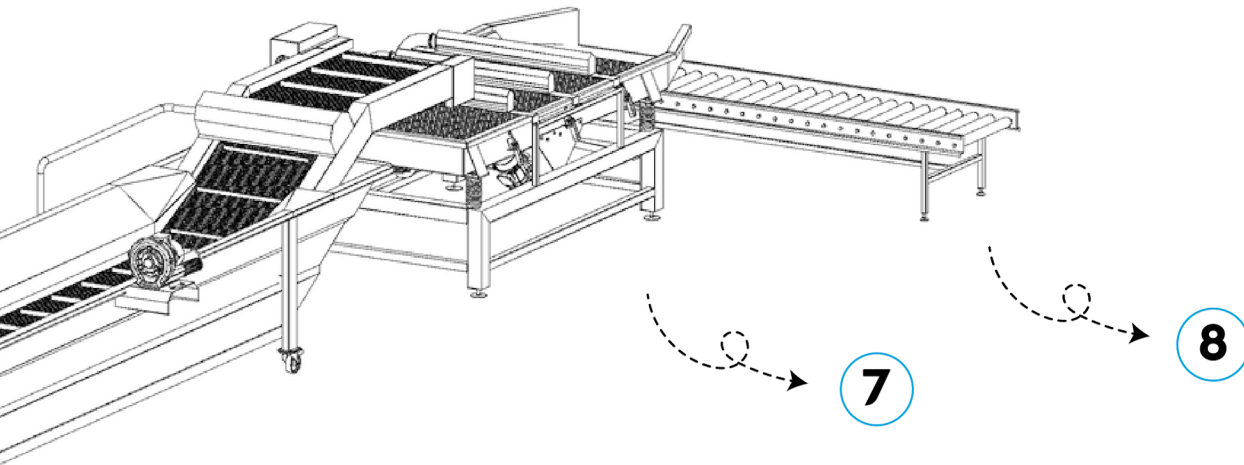




Dates Processing Line

Our process line, which has a production capacity of 2000 kg per hour, consists of garbage collection, selection, pre-washing, showering and water disposal stages.





- 1 CONVEYOR BELT
- 2 GARBAGE JERKY
- 3 LIGHTS SELECTION TAPE
- 4 CONVEYOR BELT
- 5 GARBAGE JERKY
- 6 UNIVERSAL WASHING
- 7 FAN WATER THROWING JERKY
- 8 PULLEY CONVEYOR TABLE

Food Processing Machinery

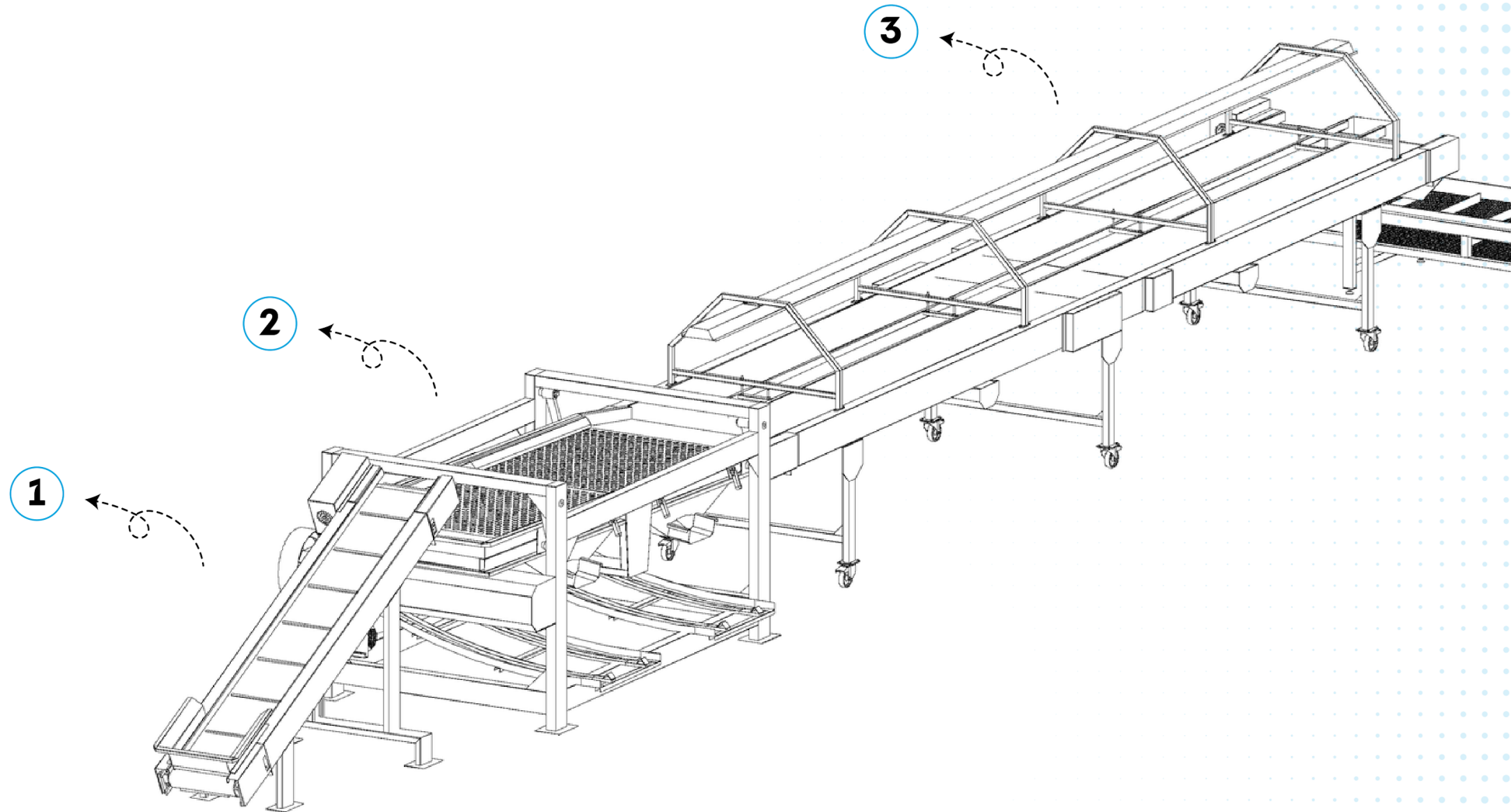
Our process line, which has a production capacity of 2000 kg per hour, consists of pre-screening, selection, packaging and weighing stages.

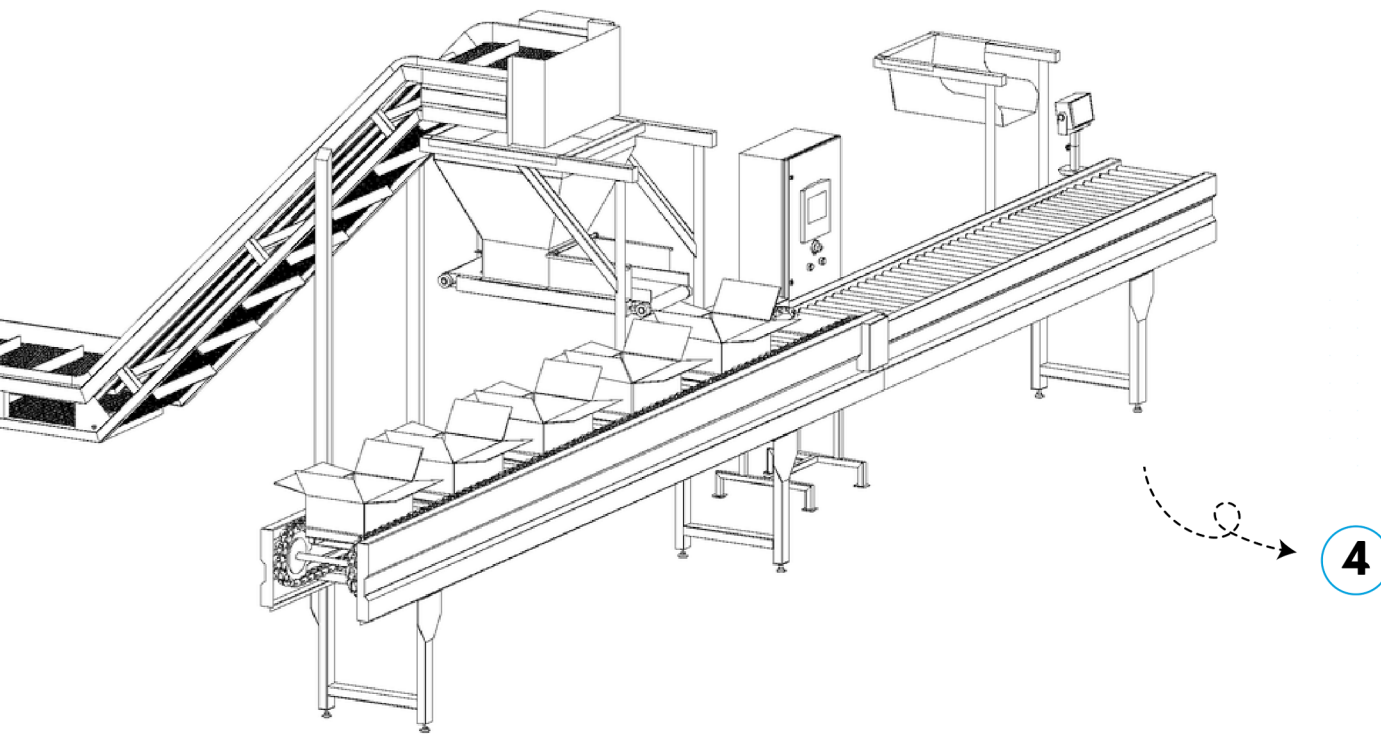




Food Processing Machinery

Our process line, which has a production capacity of 2000 kg per hour, consists of pre-screening, selection, packaging and weighing stages.





1

CONVEYOR BELT

2

LONGITUDE JERKY

3

FLIP-LIGHT SELECTION TAPE

4

AUTOMATIC FILLING LINE

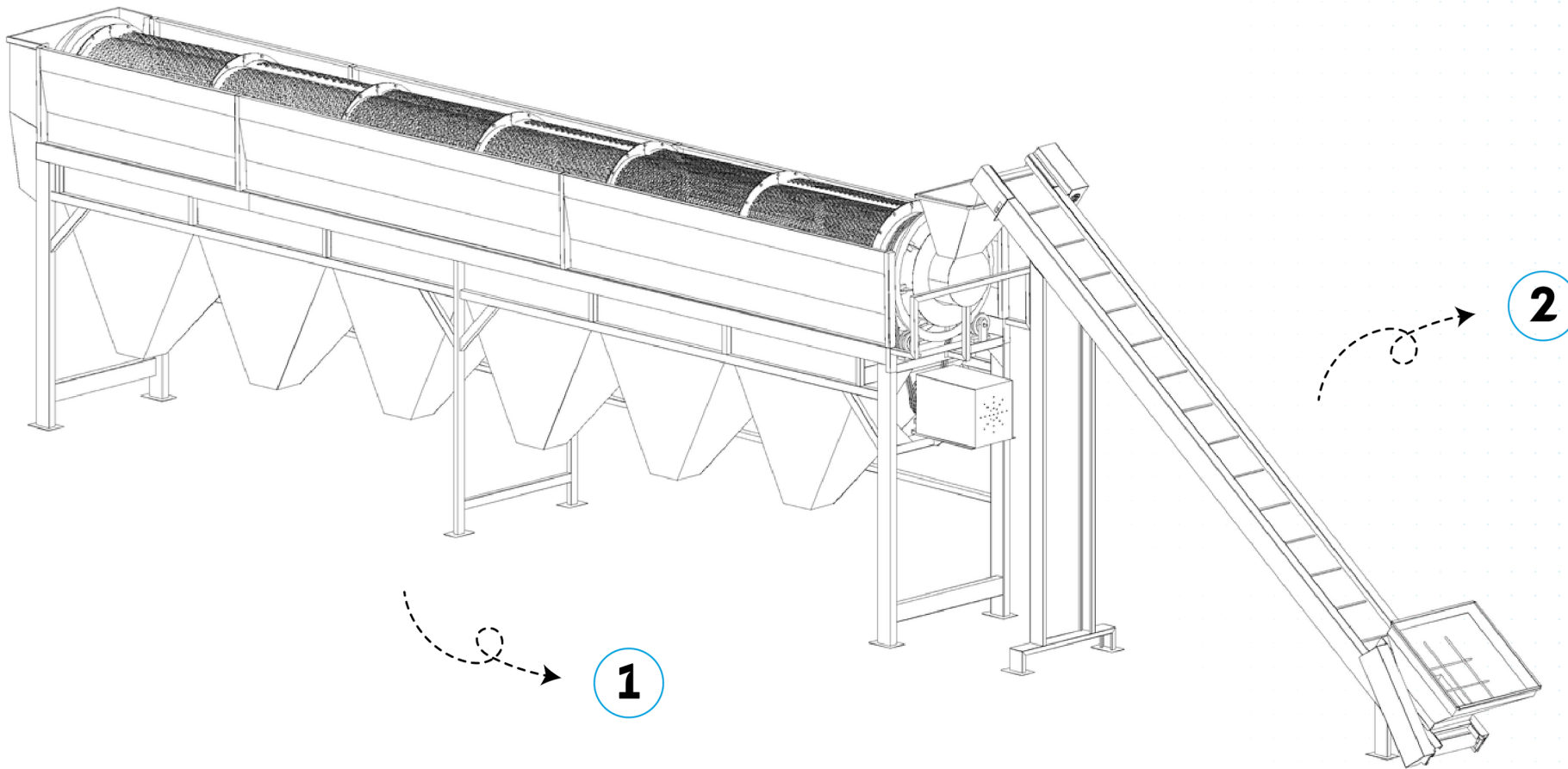
Dried Fruit Classification Line

Dried Fruit Classification Line

DTE023



Our dried fruit lengthening line consists of transportation and lengthening stages. It performs high quality lengthening process with its special trefoil drum system. Drum change is easily provided in the desired dimensions. A stripping brush system and a platform can be added as an option.



1

DRUM LENGTHENING

2

BLOCK BREAKING TAPE

Conveyor Belts

Block Breaking Tape

DTB101



IT PROVIDES BALANCED TRANSPORTATION OF PRODUCTS WITH A BLOCK CRUSHING SYSTEM. THE DIMENSIONS MAY VARY ACCORDING TO THE DESIRED SIZE OR ACCORDING TO THE PROCESS LINES.

Modular Conveyor Belt

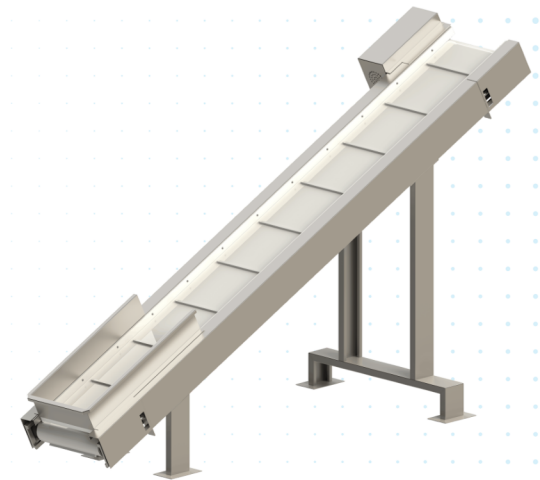
DTB102



IT REDUCES WATER TRANSPORT AFTER WASHING AND SHOWERING OF PRODUCTS AND PROVIDES A BALANCED SUPPLY. THE DIMENSIONS MAY VARY ACCORDING TO THE DESIRED SIZE OR ACCORDING TO THE PROCESS LINES.

Conveyor Belt

DTB103

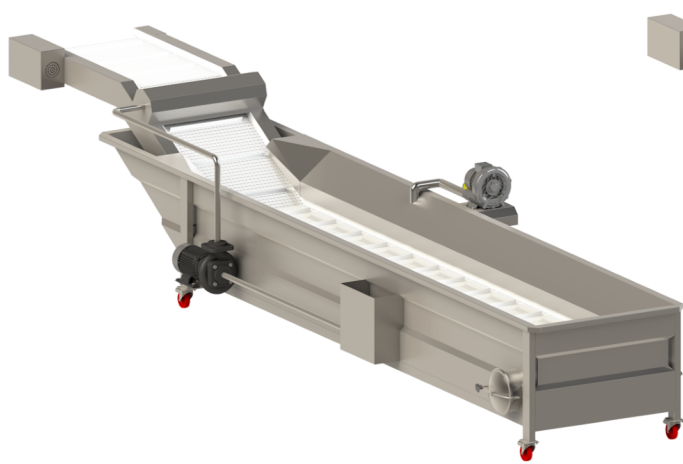


IT PROVIDES BALANCED TRANSPORTATION OF PRODUCTS.. THE DIMENSIONS MAY VARY ACCORDING TO THE DESIRED SIZE OR ACCORDING TO THE PROCESS LINES.

Washing

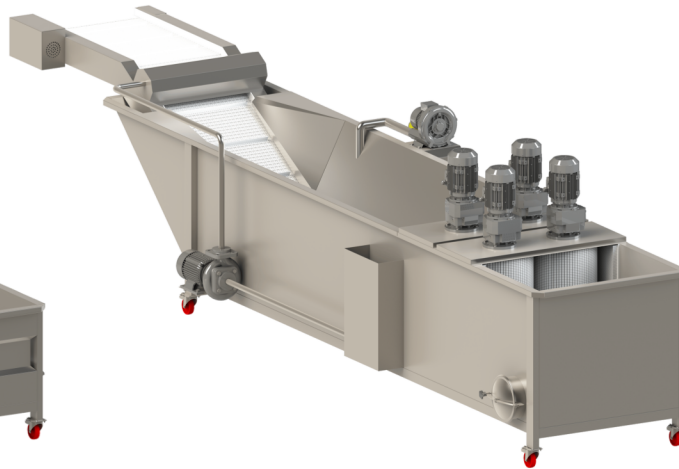
Universal Washing

DUY133



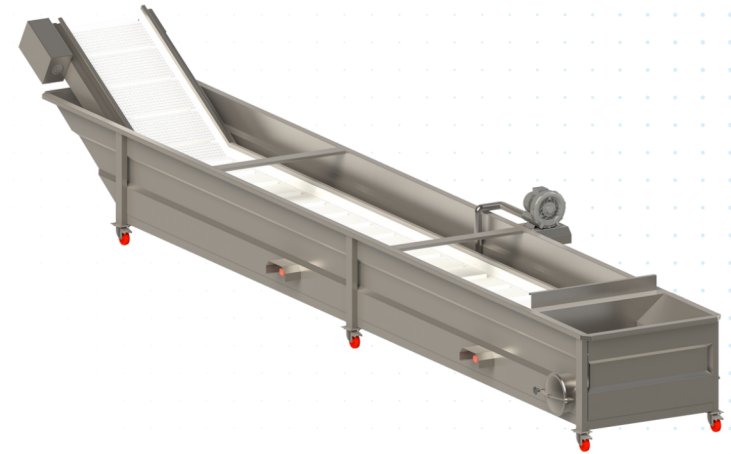
Vertical Brush Washer

DDY135



Sulfur Balancing

DKD131



IT IS USED FOR WASHING FRESH OR DRIED FRUITS AND VEGETABLES. THE DIMENSIONS MAY VARY ACCORDING TO THE DESIRED SIZE OR ACCORDING TO THE PROCESS LINES.



IT IS USED FOR DETAILED WASHING OF FRUITS AND VEGETABLES WITH THE HELP OF A BRUSH. THE DIMENSIONS MAY VARY ACCORDING TO THE DESIRED SIZE.

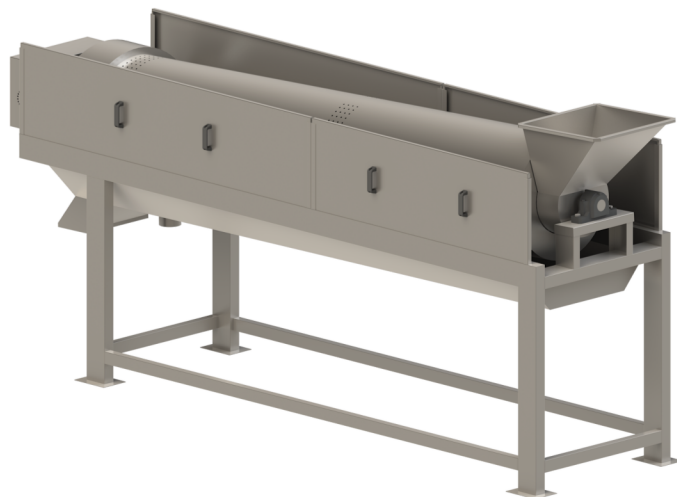


IT ALLOWS THE PRODUCT TO BE SPRAYED TO THE DESIRED EXTENT WITH THE HELP OF A BLOWER IN THE BOAT. THE DIMENSIONS MAY VARY ACCORDING TO THE DESIRED SIZE OR ACCORDING TO THE PROCESS LINES.

Washing

Drum Washing

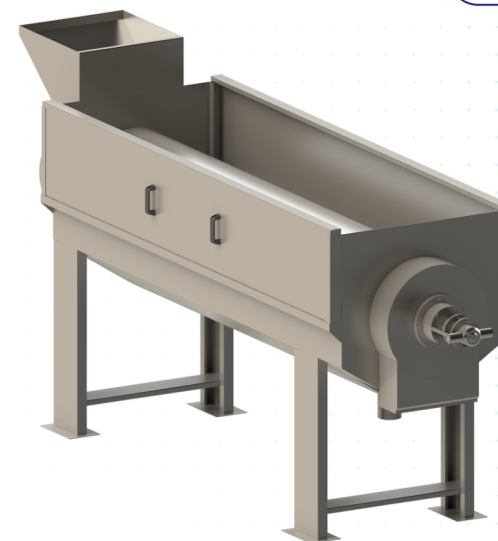
DTY121



IT PERFORMS THE WASHING PROCESS OF THE PRODUCTS WITH THE HELP OF CIRCULAR MOTION AND SPRINKLERS IN THE DRUM. DIMENSIONS ACCORDING TO THE DESIRED SIZE OR IT MAY VARY DEPENDING ON THE PROCESS LINES.

Brush Washing

DFY125

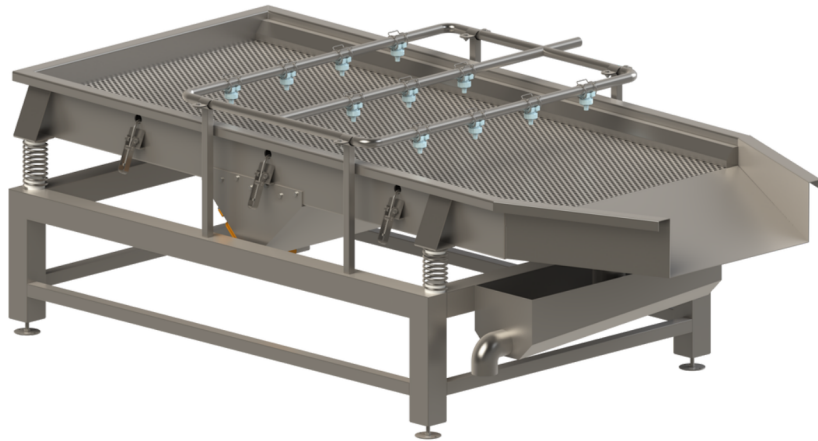


IT PROVIDES CLEANING OF SOIL, SAND AND FOREIGN SUBSTANCES ADHERING TO THE PRODUCTS WITH THE HELP OF A BRUSH. THE DIMENSIONS MAY VARY ACCORDING TO THE DESIRED SIZE OR ACCORDING TO THE PROCESS LINES.

Washing

Garbage Jerky

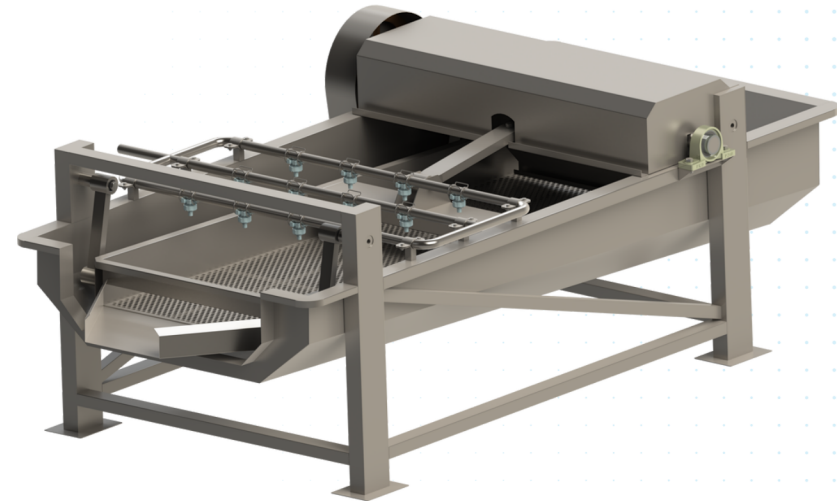
DÇE111



IT ENSURES THE DECOMPOSITION OF FOREIGN SUBSTANCES IN THE PRODUCTS AND THE START OF THE WASHING PROCESS. THE DIMENSIONS ARE ACCORDING TO THE DESIRED SIZE OR IT MAY VARY DEPENDING ON THE PROCESS LINES.

Garbage Jerky

DÇE112



IT ENSURES THE DECOMPOSITION OF FOREIGN SUBSTANCES IN THE PRODUCTS AND THE START OF THE WASHING PROCESS. THE DIMENSIONS ARE ACCORDING TO THE DESIRED SIZE OR IT MAY VARY DEPENDING ON THE PROCESS LINES.

Jerky

Longitudinal Jerky

DEE152



IT ENSURES THAT THE PRODUCTS ARE SORTED FROM SMALL TO LARGE WITH THE HELP OF SCREENS DETERMINED ACCORDING TO THE NEEDS. THE DIMENSIONS MAY VARY ACCORDING TO THE DESIRED SIZE OR ACCORDING TO THE PROCESS LINES.

Longitudinal Jerky

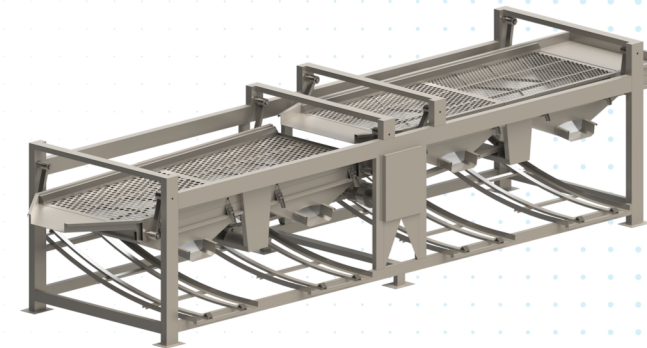
DEE153



IT ENSURES THAT THE PRODUCTS ARE SORTED FROM SMALL TO LARGE WITH THE HELP OF SCREENS DETERMINED ACCORDING TO THE NEEDS. THE DIMENSIONS MAY VARY ACCORDING TO THE DESIRED SIZE OR ACCORDING TO THE PROCESS LINES.

Longitudinal Jerky

DEE154



IT ENSURES THAT THE PRODUCTS ARE SORTED FROM SMALL TO LARGE WITH THE HELP OF SCREENS DETERMINED ACCORDING TO THE NEEDS. THE DIMENSIONS MAY VARY ACCORDING TO THE DESIRED SIZE OR ACCORDING TO THE PROCESS LINES.

Jerky

Longitudinal Jerky

DVE158



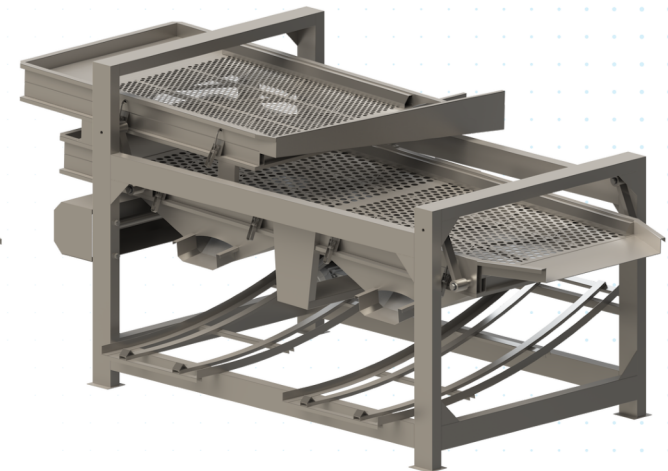
Longitudinal Jerky

DVE159



Longitudinal Jerky

DEE151



IT ENSURES THAT IT IS SORTED FROM SMALL TO LARGE WITH THE HELP OF SIEVES DETERMINED ACCORDING TO THE NEEDS. THE DIMENSIONS MAY VARY ACCORDING TO THE DESIRED SIZE OR ACCORDING TO THE PROCESS LINES.



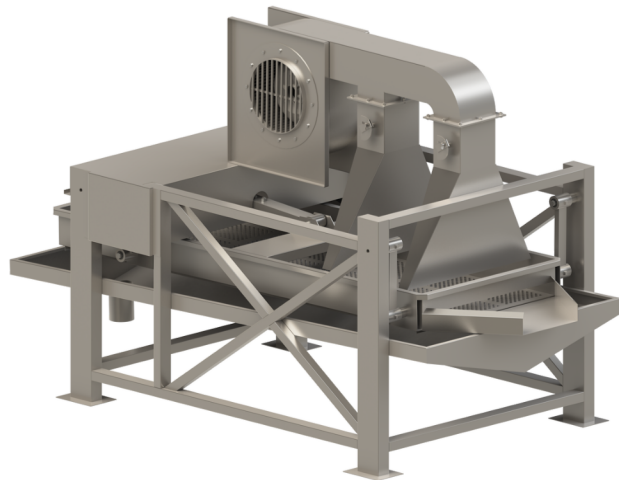
IT ENSURES THAT IT IS SORTED FROM SMALL TO LARGE WITH THE HELP OF SIEVES DETERMINED ACCORDING TO THE NEEDS. THE DIMENSIONS MAY VARY ACCORDING TO THE DESIRED SIZE OR ACCORDING TO THE PROCESS LINES.



IT ENSURES THAT THE PRODUCTS ARE SORTED FROM SMALL TO LARGE WITH THE HELP OF SCREENS DETERMINED ACCORDING TO THE NEEDS. THE DIMENSIONS MAY VARY ACCORDING TO THE DESIRED SIZE OR ACCORDING TO THE PROCESS LINES.

Fan Water Throwing Jerky

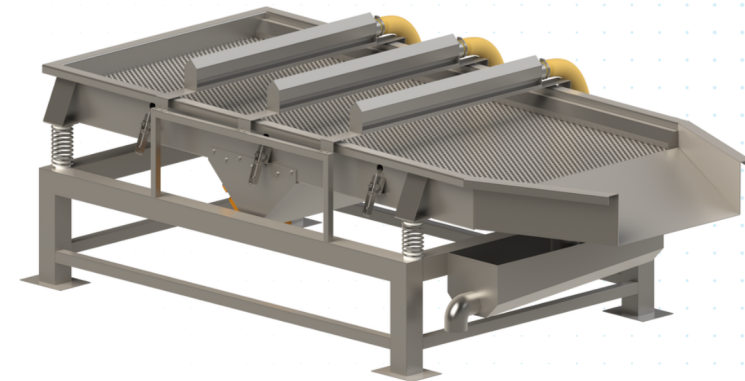
DES141



IT ALLOWS THE WATER PARTICLES ON THE WASHED PRODUCTS TO BE REMOVED WITH THE HELP OF A FAN. THE DIMENSIONS MAY VARY ACCORDING TO THE DESIRED SIZE OR ACCORDING TO THE PROCESS LINES.

Fan Water Throwing Jerky

DVS145



IT ALLOWS THE WATER PARTICLES ON THE WASHED PRODUCTS TO BE REMOVED WITH THE HELP OF A FAN. THE DIMENSIONS MAY VARY ACCORDING TO THE DESIRED SIZE OR ACCORDING TO THE PROCESS LINES.

Select Bands

Lights Selection Tape

DIS161



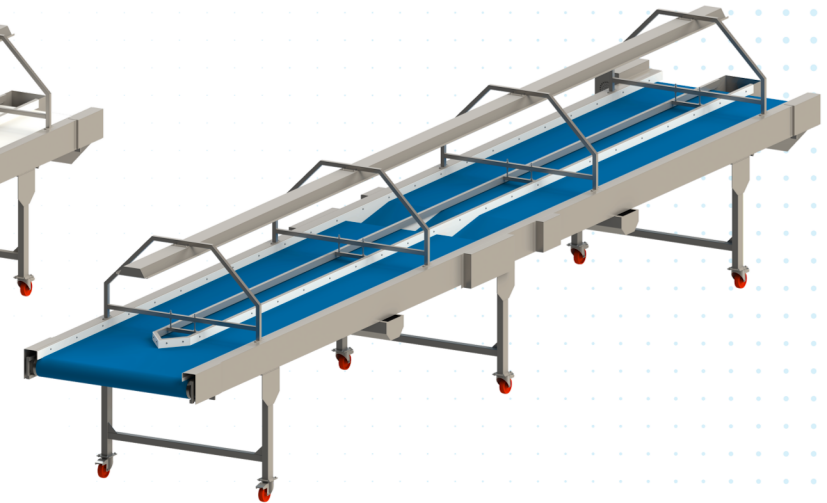
Flip-Light Selection Tape

DIS162



Flip-Light Selection Tape

DIS163



IT ALLOWS THE SELECTION OF PRODUCTS WITH THE HELP OF LIGHT. THE DIMENSIONS MAY VARY ACCORDING TO THE DESIRED SIZE OR ACCORDING TO THE PROCESS LINES.



IT PROVIDES THE SELECTION OF PRODUCTS WITH THE HELP OF LIGHT, EASY TRANSFER OF SEPARATED PRODUCTS AND CONTROL OF ALL SURFACES OF THE PRODUCT WITH THE TUMBLE SYSTEM.. DIMENSIONS ACCORDING TO THE DESIRED SIZE OR PROCESS LINES, THE TAPE COLOR MAY VARY ACCORDING TO THE PRODUCT TYPE BEING STUDIED.



IT PROVIDES THE SELECTION OF PRODUCTS WITH THE HELP OF LIGHT, EASY TRANSFER OF SEPARATED PRODUCTS AND CONTROL OF ALL SURFACES OF THE PRODUCT WITH THE TUMBLE SYSTEM.. DIMENSIONS ACCORDING TO THE DESIRED SIZE OR PROCESS LINES, THE TAPE COLOR MAY VARY ACCORDING TO THE PRODUCT TYPE BEING STUDIED.

Automatic Filling Line

Automatic Filling Line

DOD231

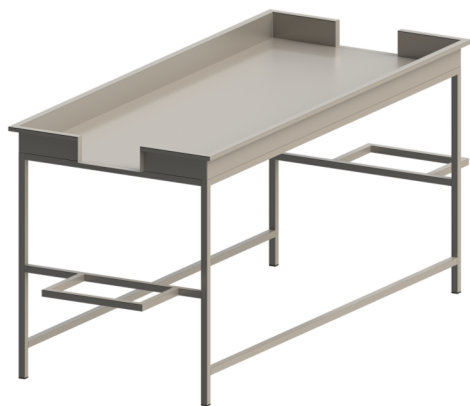


IT PERFORMS PRECISE FILLING OF PRODUCTS IN PLANNED KILOGRAMS WITH PLC WORKING SYSTEM. THE DIMENSIONS MAY VARY ACCORDING TO THE DESIRED SIZE OR PROCESS LINES.

Table-Pulley

Selection Table

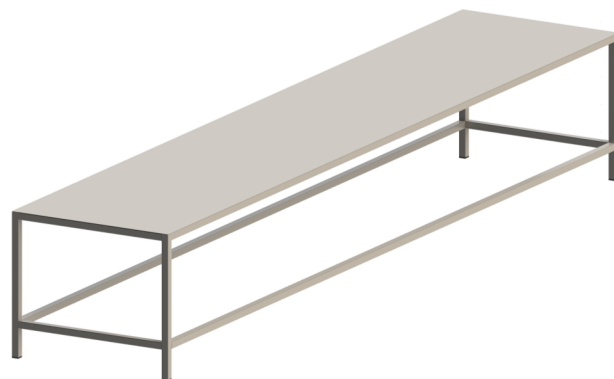
DSM171



IT ALLOWS MANUAL SEPARATION OF FOREIGN SUBSTANCES IN THE PRODUCT. THE DIMENSIONS MAY VARY ACCORDING TO THE DESIRED SIZE.

Packing Table

DSM172



IT ALLOWS THE MANUAL PACKAGING OF PRODUCTS. THE DIMENSIONS MAY VARY ACCORDING TO THE DESIRED SIZE.

Pulley Transport Table

DSM173



THANKS TO THE PULLEY COFFEE TABLE, IT PROVIDES PRACTICAL JULLEY OF BOXES AND CRATES. THE DIMENSIONS MAY VARY ACCORDING TO THE DESIRED SIZE.

Spiral

Screw Elevator With Lid

DTH181



THANKS TO ITS SPECIALLY DESIGNED WINGS, IT PROVIDES BALANCED JULLEY OF PRODUCTS WITHOUT DAMAGE. THE DIMENSIONS MAY VARY ACCORDING TO THE DESIRED SIZE OR ACCORDING TO THE PROCESS LINES.

Screw Elevator

DTH182

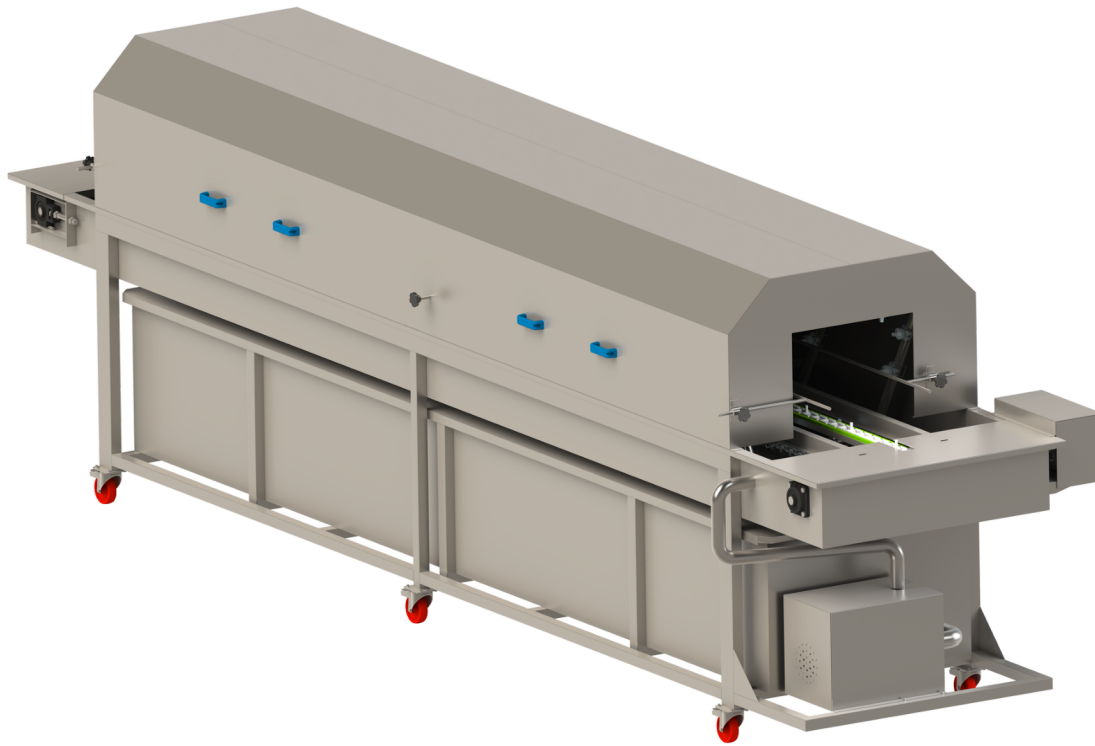


THANKS TO ITS SPECIALLY DESIGNED WINGS, IT PROVIDES BALANCED JULLEY OF PRODUCTS WITHOUT DAMAGE. THE DIMENSIONS MAY VARY ACCORDING TO THE DESIRED SIZE OR ACCORDING TO THE PROCESS LINES.

Fruit Boxes Washing Machine

Fruit Boxes Washing Machine

DKS191

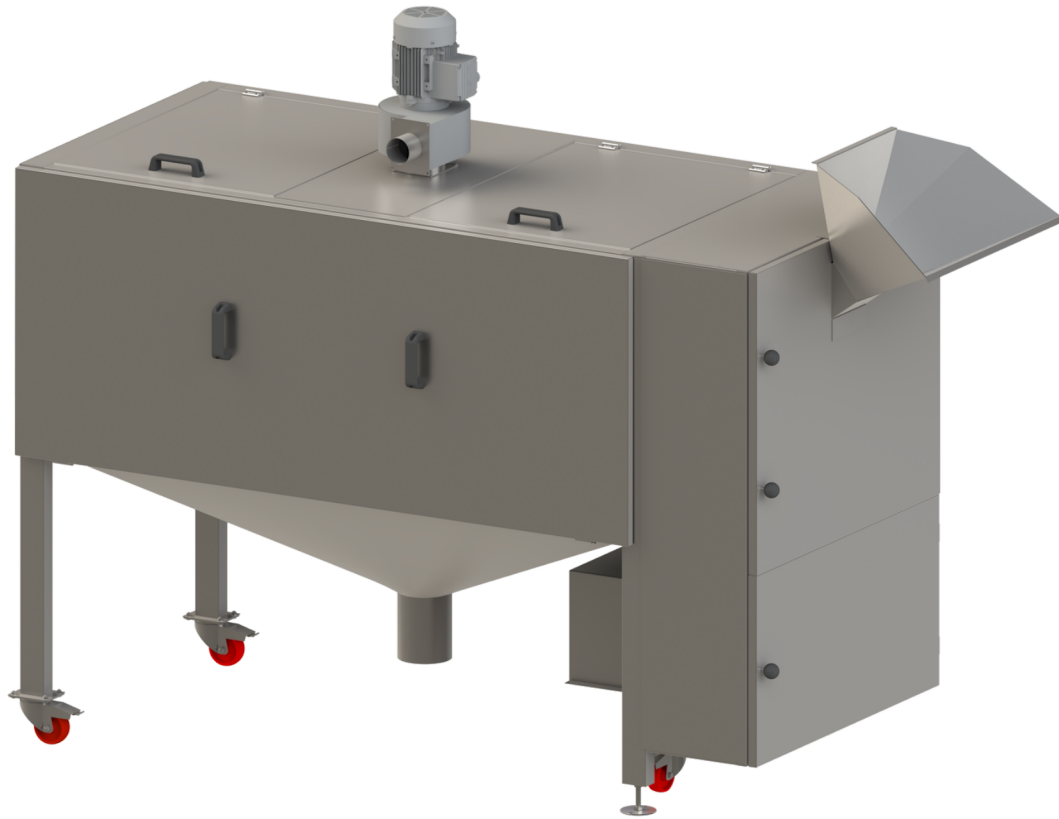


IT PROVIDES HIGH CLEANLINESS WITH LOW WATER CONSUMPTION THANKS TO SPECIAL NOZZLES OF CASES OF DIFFERENT SIZES. THE DIMENSIONS MAY VARY ACCORDING TO THE DESIRED SIZE.

Brush Polishing

Brush Polishing

DFT201

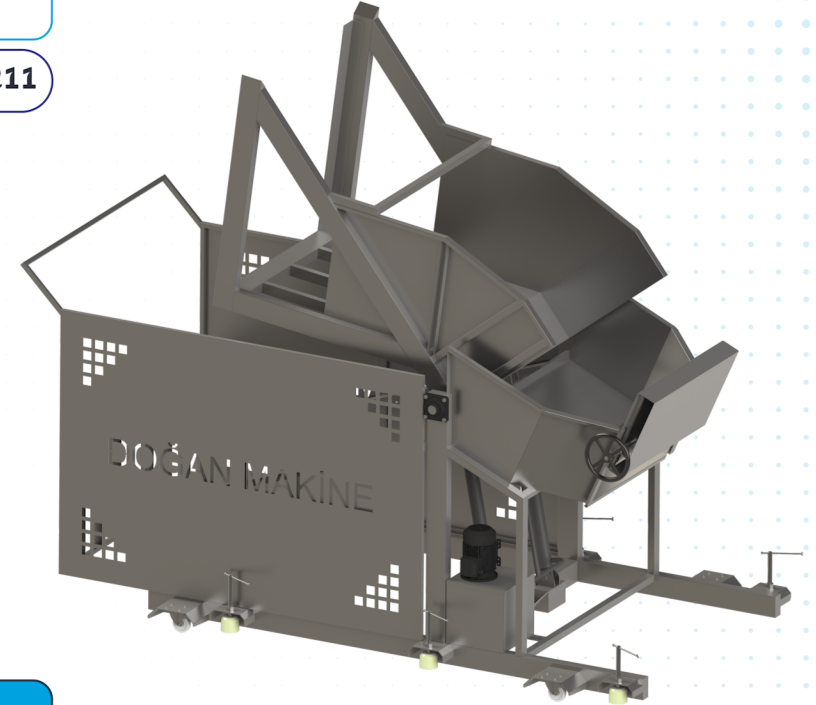
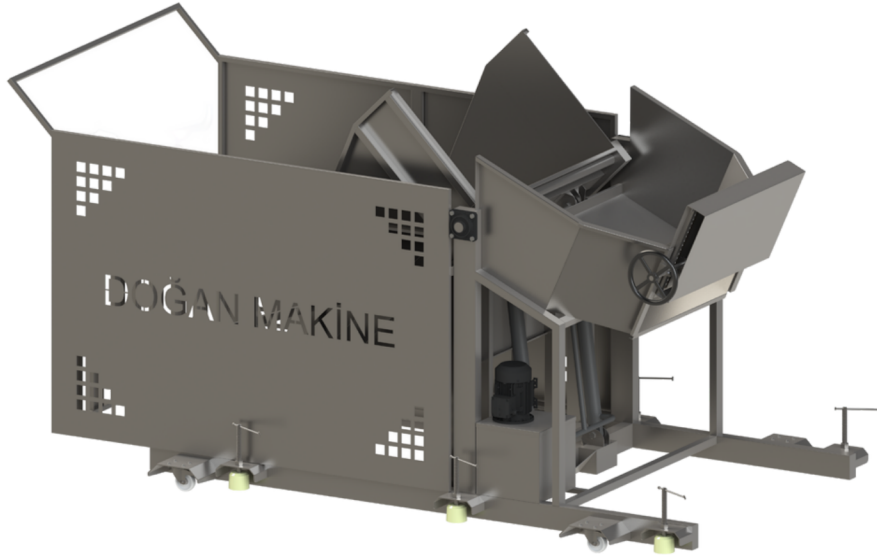


IT ALLOWS CLEANING AND
POLISHING OF PRODUCTS WITHOUT
USING WATER WITH THE HELP OF
SPECIAL BRUSHES.

Box Damper

Box Damper

DBE211

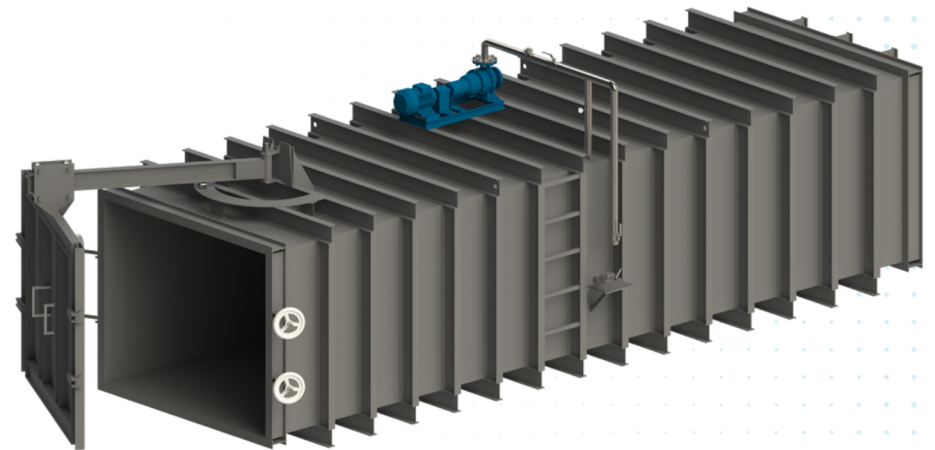
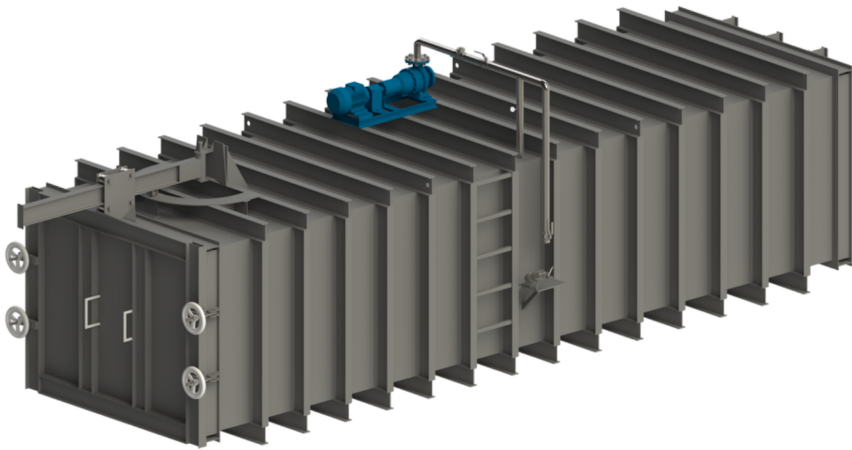


IT ENSURES THE BALANCED TRANSFER OF PROCESS LINES TO THE NEXT MACHINE BY HIGH-TONNAGE BOXES. THE DIMENSIONS MAY VARY ACCORDING TO THE DESIRED SIZE.

Fumigation Chamber

Fumigation Chamber

DDK221



BY VACUUMING THE AIR INSIDE THE ROOM, IT ALLOWS THE RELEASE AND DESTRUCTION OF ORGANISMS HARMFUL TO HUMAN HEALTH FOUND ON AND INSIDE THE PRODUCTS. THE DIMENSIONS MAY VARY ACCORDING TO THE DESIRED SIZE.

DOĞAN

Food Processing Machinery

 2.Organize Sanayi Bölgesi 6. Cadde No:16 Malatya

 +90 422 238 23 57

 info@doganmachine.com

 Visit Our Website
doganmachine.com



DOĞAN

Food Processing Machinery

 2.Organize Sanayi Bölgesi 6. Cadde No:16 Malatya

 +90 422 238 23 57

 info@doganmachine.com

 @doganmachine

 @doganmachine

 @doganmachine

 @doganmachine



MİTRA AGENCY